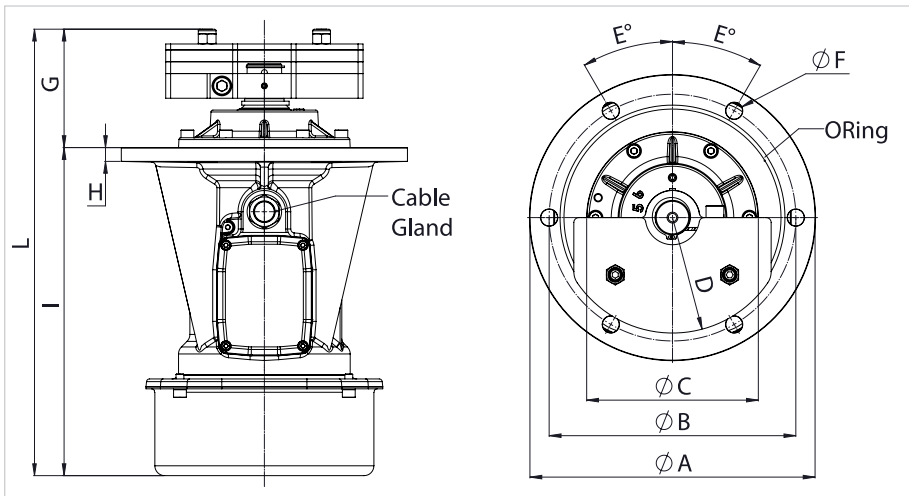




Flanged Motovibrator SL - Sieve Lateral

Flanged motor for circular vibrating sieves - 50Hz / 60Hz



Wm (kgcm)		Model		Poles	Centrifugal Force (kg)		UP Centrifugal Force (kg)		DOWN Centrifugal Force (kg)		rpm		Weight (kg)		ELECTRICAL SPECIFICATIONS						
50Hz	60Hz	50Hz	60Hz	n°	50Hz	60Hz	50Hz	60Hz	50Hz	60Hz	50Hz	60Hz	50Hz	60Hz	Input Power (kW)		Nominal Current A max. (Y)		Ia / In (Ampere)		Cable Gland
50Hz	60Hz	50Hz	60Hz		50Hz	60Hz	50Hz	60Hz	50Hz	60Hz	50Hz	60Hz	50Hz	60Hz	50Hz	60Hz	50Hz (400V)	60Hz (460V)	50Hz	60Hz	Metric
9.2	6	MVE 500/3N SL-40AD	MVE 500/36N SL-40AD	2	464	455	361	354	103	101	3,000	3,600	14.6	14.2	0.3	0.36	0.58	0.6	3.5	3.5	20
22	15.2	MVE 1100/3N SL-50AE	MVE1100/36N SL-50AE	2	1,105	1,098	865	860	240	238	3,000	3,600	24.7	24.0	0.5	0.58	0.96	0.97	4	4.2	20
29	20	MVE 1500/3N SL-50AF	MVE 1500/36N SL-50AF	2	1,445	1,435	1,235	1,227	210	208	3,000	3,600	45.0	43.7	1.3	1.38	2.44	2.25	5.2	5	25
32.2	22	MVE 500/15N SL-40AD	MVE 500/18N SL-40AD	4	408	403	306	302	102	101	1,500	1,800	19.0	18.4	0.3	0.35	0.84	0.86	2.5	2.5	20
62	43	MVE 800/15N SL-50AE	MVE 800/18N SL-50AE	4	786	777	606	604	180	173	1,500	1,800	31.0	30.1	0.65	0.78	1.5	1.7	3.8	3.8	20
85	59	MVE 1100/15N SL-50AF	MVE 1100/18N SL-50AF	4	1,076	1,070	824	820	252	250	1,500	1,800	34.5	33.5	0.65	0.78	1.5	1.7	3.8	3.8	20
85	59	MVE 1100/15N SL-50AG	MVE 1100/18N SL-50AG	4	1,076	1,070	824	820	252	250	1,500	1,800	39.0	37.8	0.65	0.78	1.5	1.7	3.8	3.8	20
123	82	MVE 1500/15N SL-60AF	MVE 1500/18N SL-60AF	4	1,525	1,488	1,200	1,155	325	333	1,500	1,800	49.0	47.5	0.9	1.1	1.71	1.78	4	4	25

Model		DIMENSIONAL SPECIFICATIONS (mm)												
50Hz	60Hz	Size	A	B	C	D	E	F	G	H	I	L	Holes	O Ring
MVE 500/3N SL-40AD	MVE 500/36N SL-40AD	40	232	205	150	73	30	13	45	12	256	301	6	4700
MVE 1100/3N SL-50AE	MVE1100/36N SL-50AE	50	260	230	168	92.5	30	15	79	24	298	377	6	4800
MVE 1500/3N SL-50AF	MVE 1500/36N SL-50AF	60	290	250	174	117	30	17	96	14	332.5	428	6	4850
MVE 500/15N SL-40AD	MVE 500/18N SL-40AD	40	232	205	150	78	30	13	80	12	256	336	6	4700
MVE 800/15N SL-50AE	MVE 800/18N SL-50AE	50	260	230	168	97.5	30	15	103.5	24	298	401.5	6	4800
MVE 1100/15N SL-50AF	MVE 1100/18N SL-50AF	50	290	250	168	105	30	17	103.5	24	298	401.5	6	4850
MVE 1100/15N SL-50AG	MVE 1100/18N SL-50AG	50	179	254	168	105	45	14	103.5	24	298	401.5	4	--
MVE 1500/15N SL-60AF	MVE 1500/18N SL-60AF	60	290	250	174	117	30	17	130	14	332.5	462.5	6	4850

FLANGED MOTOVIBRATOR SL

APPLICATION Circular vibrating sieves.

PROBLEM SOLVING Quick and easy installation and maintenance; grease for life.

FEATURES

INPUT VOLTAGE 400V (50Hz) or 460V (60Hz)

AMBIENT TEMPERATURE -20°C + 40°C

IP 66

THERMAL PROTECTION PTC Termistor 130°C (above size 60)

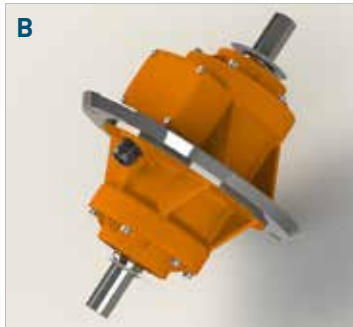
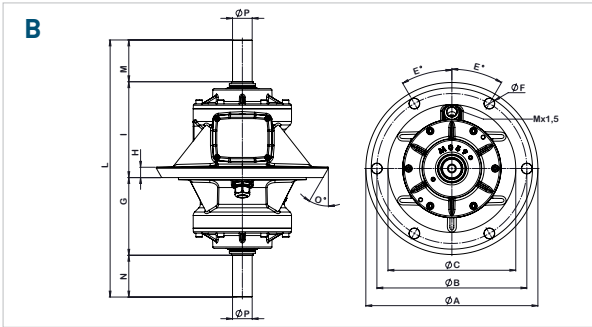
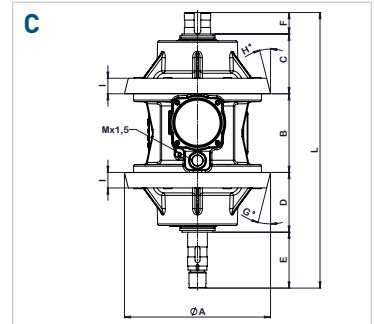
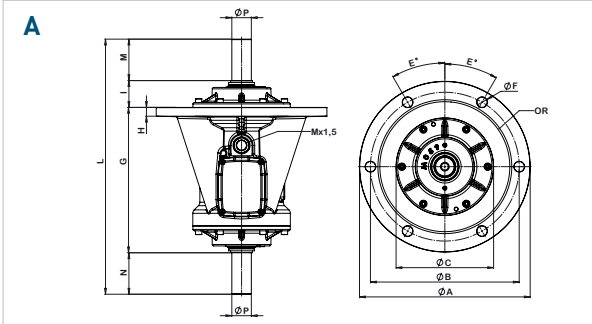
INSULATION CLASS F

This information is furnished without warranty, representation, inducement or license of any kind. It is accurate to the best OLI knowledge or is obtained from sources believed to be accurate. OLI therefore assumes no legal responsibility.



Flanged Motovibrator I - Industrial

Flange: lateral (L), central (C), double (D) - 50Hz / 60Hz



Wm (kgcm)		Model		Poles	Centrifugal Force (kg)		UP Centrifugal Force (kg)		DOWN Centrifugal Force (kg)		rpm		Weight (kg)		ELECTRICAL SPECIFICATIONS						
50Hz	60Hz	50Hz	60Hz	n°	50Hz	60Hz	50Hz	60Hz	50Hz	60Hz	50Hz	60Hz	50Hz	60Hz	50Hz	60Hz	50Hz	60Hz	Metric		
140	106.8	MVE 2000/15N IL-60AF A	MVE 2000/15N IL-60AF A	4	1,760	1,933	880	967	880	967	1,500	1,800	53	38	1.6	1.9	3	3.2	4.9	4.9	25
140	106.8	MVE 2000/15N IL-60AF B	MVE 2000/18N IL-60AF B	4	1,760	1,933	880	967	880	967	1,500	1,800	53	38	1.6	1.9	3	3.2	4.9	4.9	25
196.4	139.4	MVE 2500/15N IL-70AM A	MVE 2500/18N IL-70AM A	4	2,469	2,523	1,234	1,262	1,234	1,262	1,500	1,800	51	51	1.8	2	3.4	3.4	6	6.1	25
196.4	139.4	MVE 2500/15N IL-70AM B	MVE 2500/18N IL-70AM B	4	2,469	2,523	1,234	1,262	1,234	1,262	1,500	1,800	51	51	1.8	2	3.4	3.4	6	6.1	25
294	196.4	MVE 3500/15N IL-75AM B	MVE 3500/18N IL-75AM A	4	3,696	3,555	1,848	1,777	1,848	1,777	1,500	1,800	65	65	1.9	2.3	3.7	3.8	6.5	6.6	25
140	106.8	MVE 2000/15N IC-60AM B	MVE 2000/18N IC-60AM A	4	1,760	1,933	880	967	880	967	1,500	1,800	60	44	1.6	1.9	3	3.2	4.9	4.9	25
140	106.8	MVE 2000/15N IC-60AM A	MVE 2000/18N IC-60AM B	4	1,760	1,933	880	967	880	967	1,500	1,800	60	44	1.6	1.9	3	3.2	4.9	4.9	25
196.4	139.4	MVE 2500/15N IC-70AM A	MVE 2500/18N IC-70AM A	4	2,469	2,523	1,234	1,262	1,234	1,262	1,500	1,800	56	56	1.8	2	3.4	3.4	6	6.1	25
196.4	139.4	MVE 2500/15N IC-70AM B	MVE 2500/18N IC-70AM B	4	2,469	2,523	1,234	1,262	1,234	1,262	1,500	1,800	60	60	1.8	2	3.4	3.4	6	6.1	25
294	196.4	MVE 3500/15N IC-75AX A	MVE 3500/18N IC-75AX A	4	3,696	3,555	1,848	1,777	1,848	1,777	1,500	1,800	69	69	1.9	2.3	3.7	3.8	6.5	6.6	25
-	-	MVE 2500/15N ID-75	MVE 2500/18N ID-75	4	2,500	2,500	1,250	1,250	1,250	1,250	1,500	1,800	67	67	1.9	2.3	3.7	3.8	6.5	6.6	25

Model		DIMENSIONAL SPECIFICATIONS (mm)																		
50Hz	60Hz	Fig.	Size	A	B	C	D	E	F	G	H	I	L	M	N	O	P	Holes	O Ring	
MVE 2000/15N IL-60AF A	MVE 2000/15N IL-60AF A	A	60	290	250	174	105	30	17	281.25	14	51.25	474.5	71	71	--	35	6	4850	
MVE 2000/15N IL-60AF B	MVE 2000/18N IL-60AF B	A	60	290	250	174	105	30	17	281.25	14	51.25	474.5	71	71	--	35	6	4850	
MVE 2500/15N IL-70AM A	MVE 2500/18N IL-70AM A	A	70	350	305	200	124.5	30	21	298	18	55	523	85	85	--	40	6	41050	
MVE 2500/15N IL-70AM B	MVE 2500/18N IL-70AM B	A	70	350	305	200	124.5	30	21	298	18	55	523	85	85	--	40	6	41050	
MVE 3500/15N IL-75AM B	MVE 3500/18N IL-75AM A	A	75	350	305	225	124.5	30	21	326	20	66	562	85	85	--	45	6	41050	
MVE 2000/15N IC-60AM B	MVE 2000/18N IC-60AM A	B	60	350	305	260	105	30	21	147.75	17	184.75	474.5	71	71	23	35	6	--	
MVE 2000/15N IC-60AM A	MVE 2000/18N IC-60AM B	B	60	350	305	260	105	30	21	147.75	17	184.75	474.5	71	71	23	35	6	--	
MVE 2500/15N IC-70AM A	MVE 2500/18N IC-70AM A	B	70	350	305	260	124.5	30	21	158	21	195	523	85	85	30	40	6	--	
MVE 2500/15N IC-70AM B	MVE 2500/18N IC-70AM B	B	70	350	305	260	124.5	30	21	158	21	195	523	85	85	30	40	6	--	
MVE 3500/15N IC-75AX A	MVE 3500/18N IC-75AX A	B	75	400	355	310	124.5	30	22	186	22	206	562	85	85	15	45	6	--	
MVE 2500/15N ID-75	MVE 2500/18N ID-75	C	75	282.3	152	115.5	115.5	108	41.5	14	14	30	532.5	--	--	--	--	--	--	

FLANGED MOTOVIBRATOR "I" (IL, IC, ID)

APPLICATION Circular vibrating machines, circular vibrating sieves.

PROBLEM SOLVING Quick and easy installation and maintenance; greased for life.

FEATURES

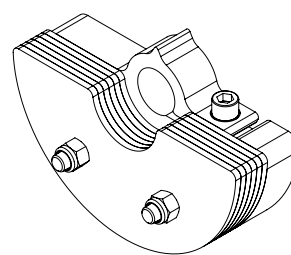
INPUT VOLTAGE 400V (50Hz) or 460V (60Hz)

AMBIENT TEMPERATURE -20°C + 40°C

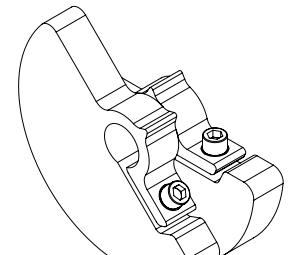
IP 66

THERMAL PROTECTION PTC Termistor 130°C

INSULATION CLASS F



UNBALANCED TYPE "A"



UNBALANCED TYPE "B"

This information is furnished without warranty, representation, inducement or license of any kind. It is accurate to the best OLI knowledge or is obtained from sources believed to be accurate. OLI therefore assumes no legal responsibility.